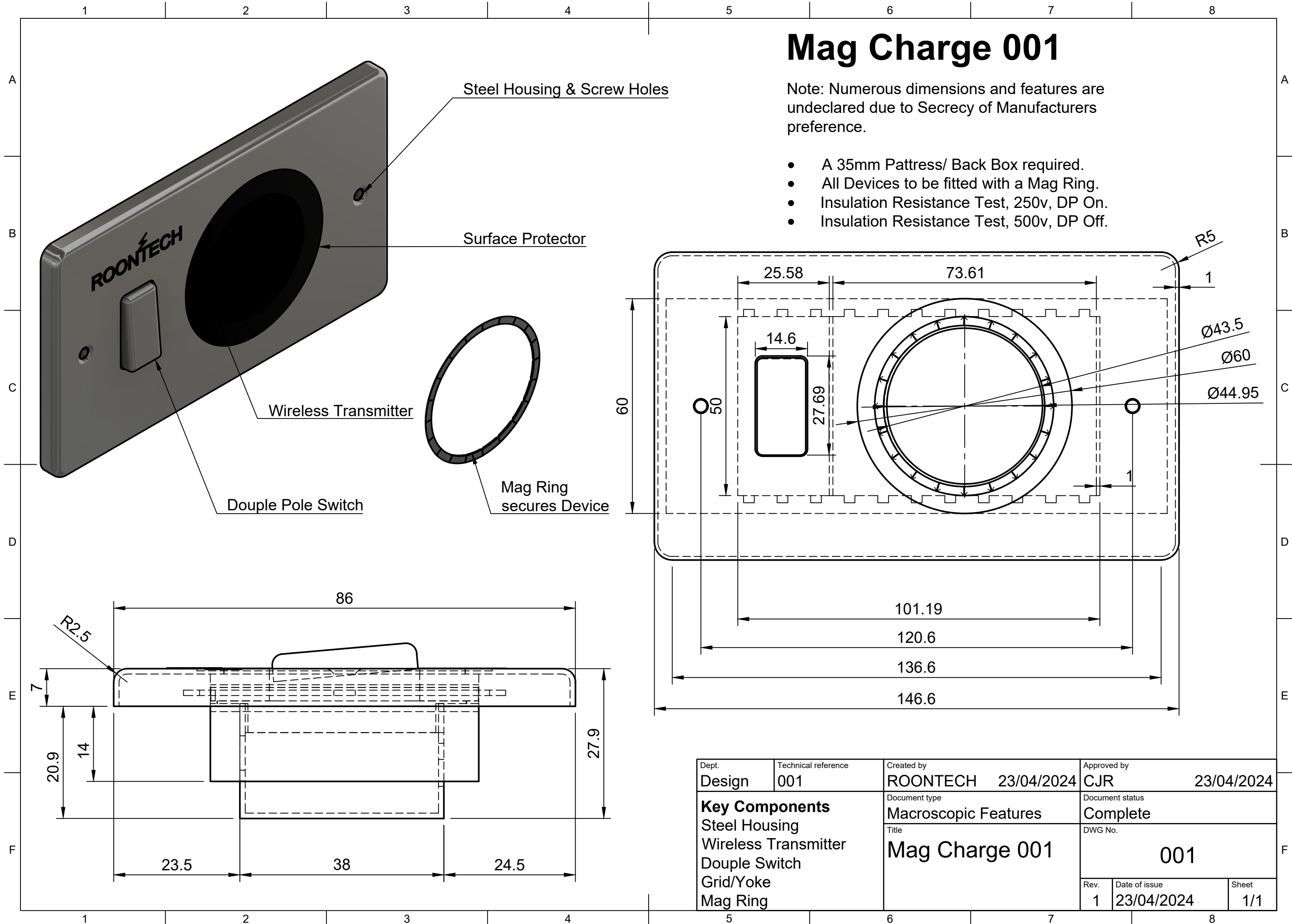


Mag Charge 001

Note: Numerous dimensions and features are undeclared due to Secrecy of Manufacturers preference.

- A 35mm Pattress/ Back Box required.
- All Devices to be fitted with a Mag Ring.
- Insulation Resistance Test, 250v, DP On.
- Insulation Resistance Test, 500v, DP Off.



Dept. Design	Technical reference 001	Created by ROONTECH 23/04/2024	Approved by CJR 23/04/2024
Key Components		Document type Macroscopic Features	Document status Complete
Steel Housing Wireless Transmitter Double Switch Grid/Yoke Mag Ring		Title Mag Charge 001	DWG No. 001
Rev. 1	Date of issue 23/04/2024	Sheet 1/1	