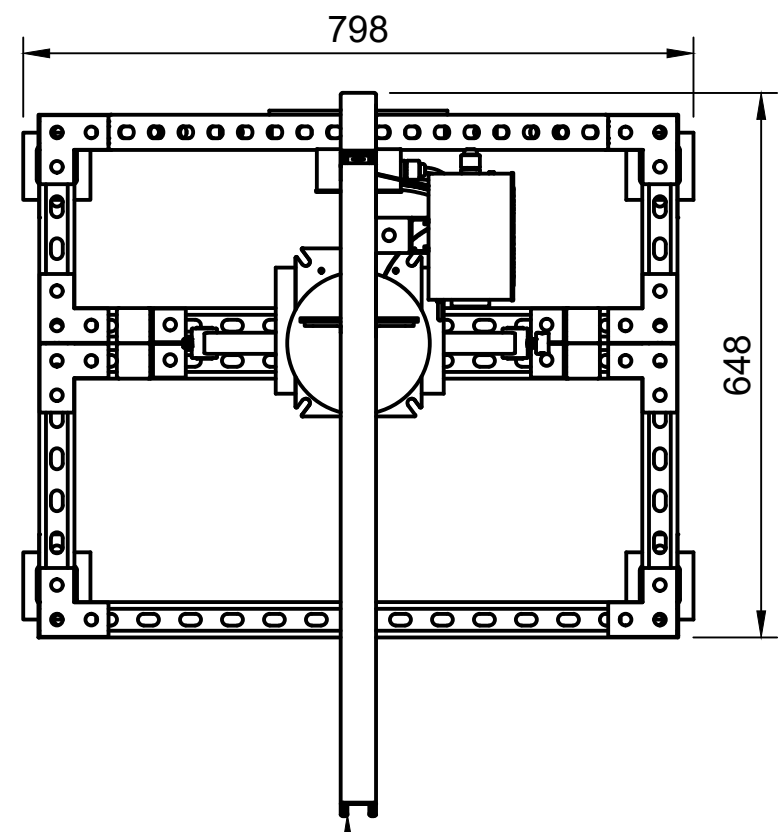


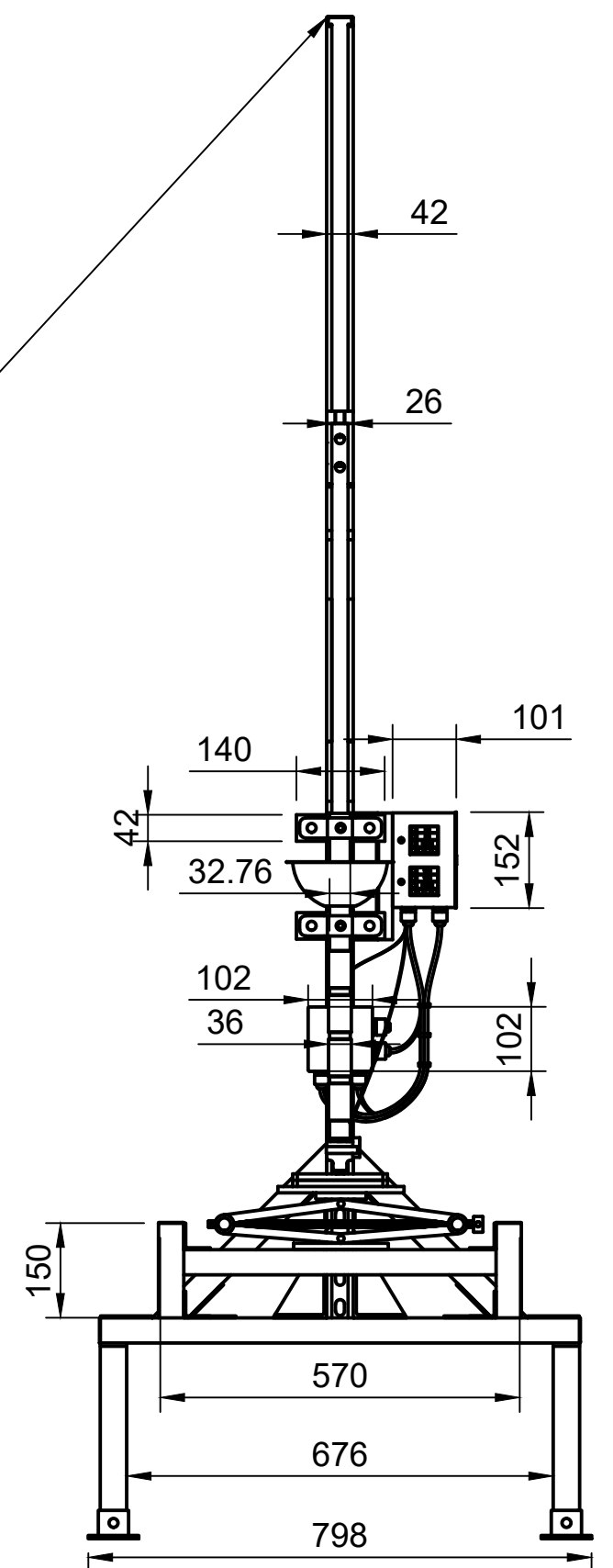
# IMM Parameters

Unistrut Frame

Leverage Displacement  
 Highest Point: 2400mm  
 Lowest Point: 600mm



Maximum Width of Device when Lever Bar is at 90: 1140mm



Dept. Design	Technical reference #666	Created by ROONTECH 10/04/2024	Approved by ROONTECH 11/04/2024
<b>Key Components</b>		Document type Parameter Drawing	Document status Complete
1) Lever Bar 2) Ram 3) Chamber 4) Heating Elements 5) Extrude Nozzle		Title IMM	DWG No. 001
Rev.	Date of issue	Sheet	
1	10/04/2024	1/2	