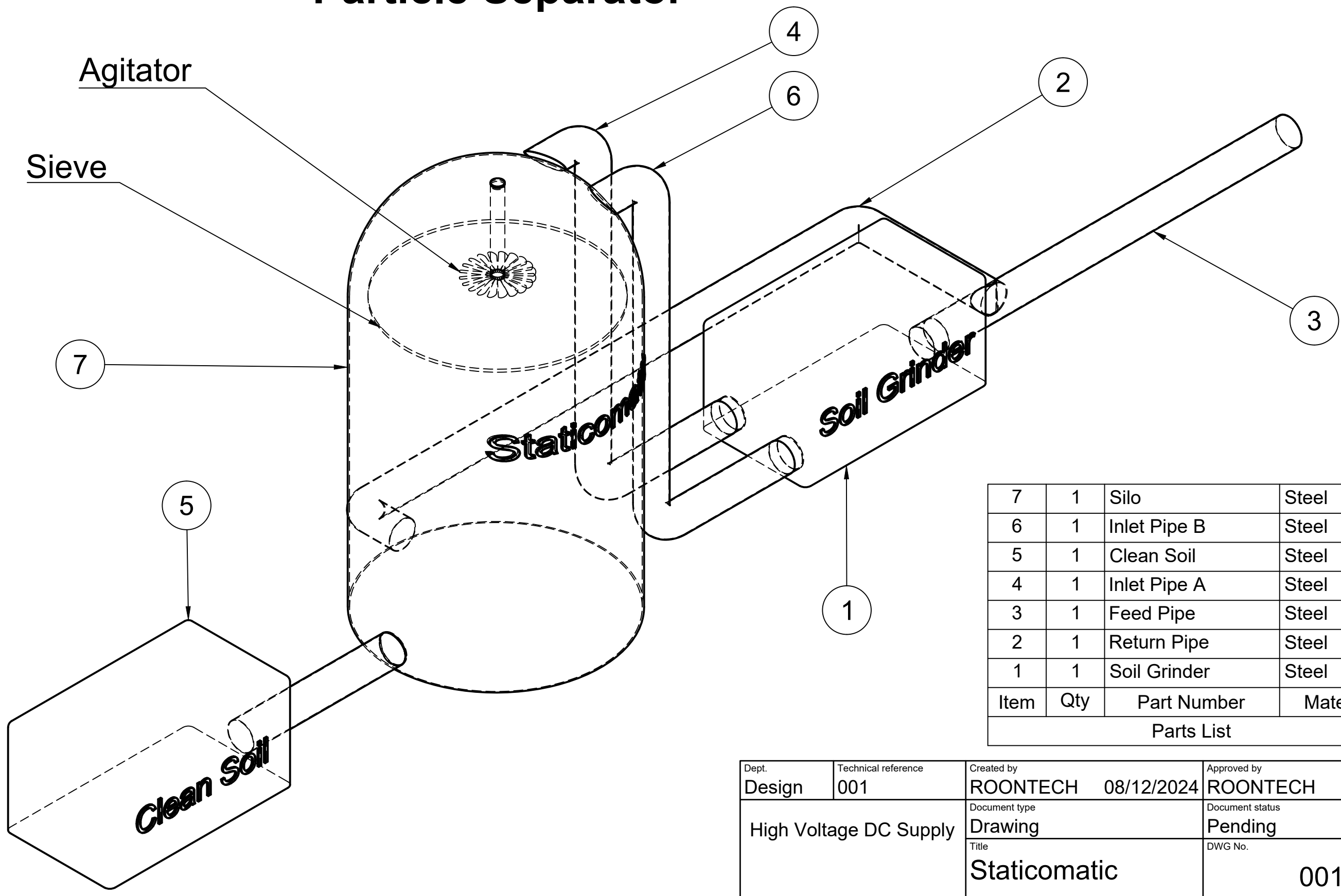


Staticomatic Particle Separator



7	1	Silo	Steel
6	1	Inlet Pipe B	Steel
5	1	Clean Soil	Steel
4	1	Inlet Pipe A	Steel
3	1	Feed Pipe	Steel
2	1	Return Pipe	Steel
1	1	Soil Grinder	Steel
Item	Qty	Part Number	Material
Parts List			

Dept. Design	Technical reference 001	Created by ROONTECH 08/12/2024	Approved by ROONTECH 08/12/2024
High Voltage DC Supply		Document type Drawing	Document status Pending
		Title Staticomatic	DWG No. 001
Rev. 1	Date of issue 08/12/2024	Sheet 1/1	