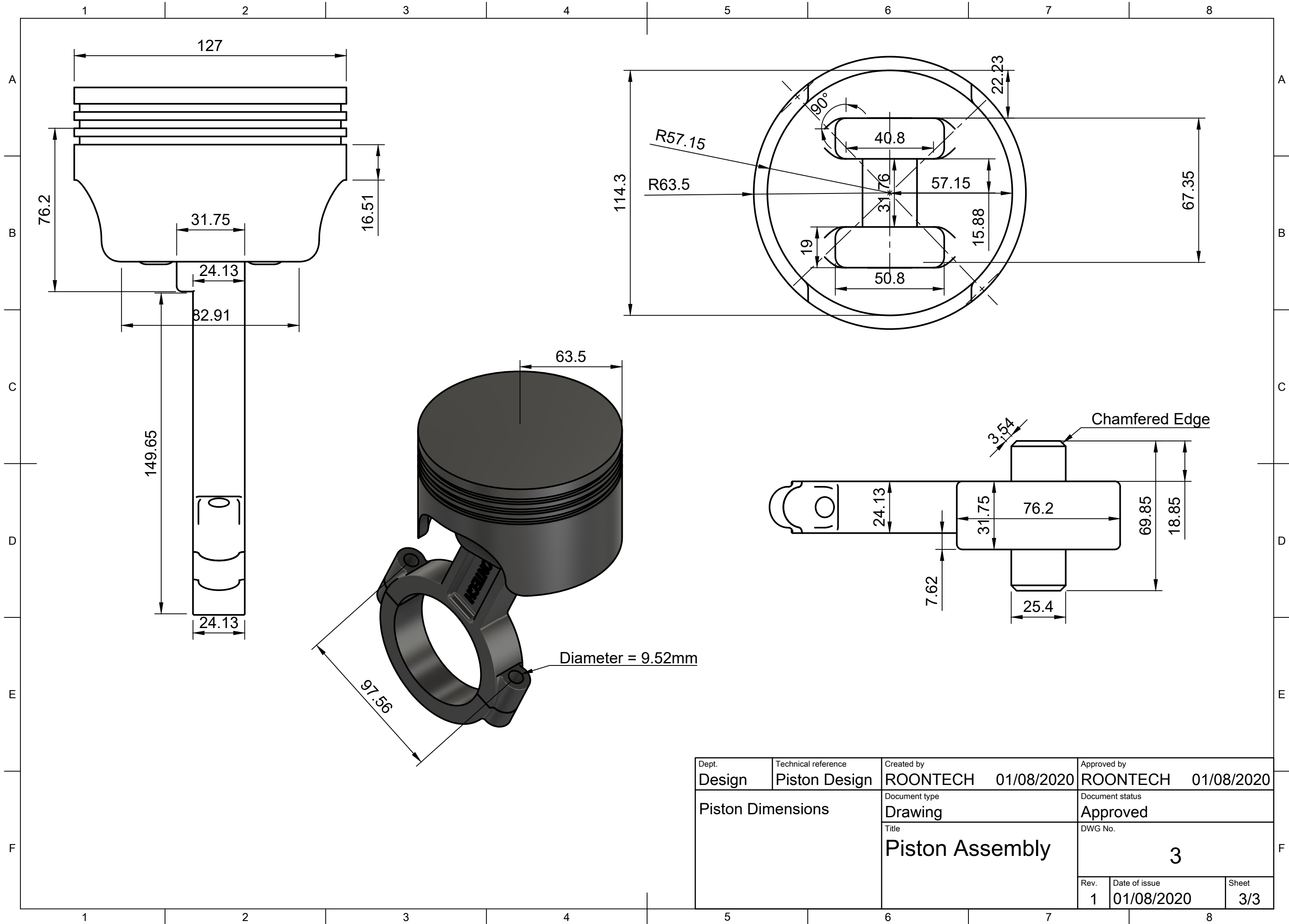


Piston Assembly	
1	Piston Head
2	Piston Pin
3	Rod Cap
4	Connecting Rod

Dept. Design	Technical reference Piston Design	Created by ROONTECH 01/08/2020	Approved by ROONTECH 01/08/2020
Components Listed		Document type Drawing	Document status Approved
		Title Piston Assembly	DWG No. 1
Rev. 1	Date of issue 01/08/2020	Sheet 1/3	



Dept. Design	Technical reference Piston Design	Created by ROONTECH 01/08/2020	Approved by ROONTECH 01/08/2020
Piston Dimensions		Document type Drawing	Document status Approved
		Title Piston Assembly	DWG No. 3
Rev. 1	Date of issue 01/08/2020	Sheet 3/3	